

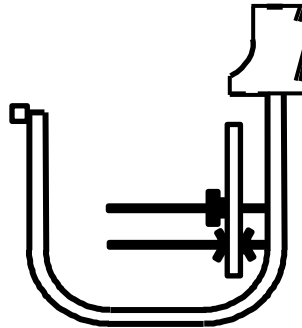
“The DockSider” Mounting Options

**DockCraft Industries Tool Free (Clamp On) Mount for “The DockSider”  
- Kayak Dock Rack and Paddleboard Dock Lift -**

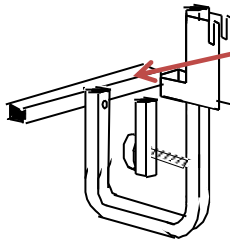
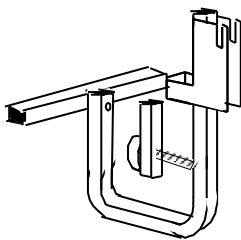
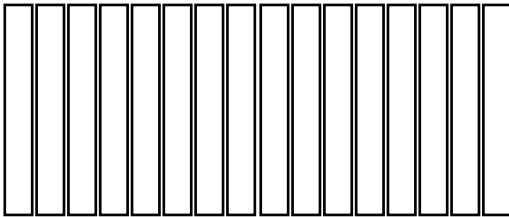
Kayak / Paddle Board Dock Rack  
Tool Free (Clamp On Mount)



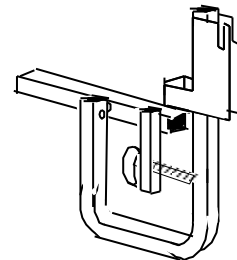
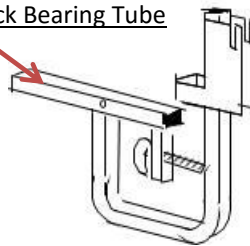
- Clamp On Dock Mount
- 2 Mounts per Dock Rack



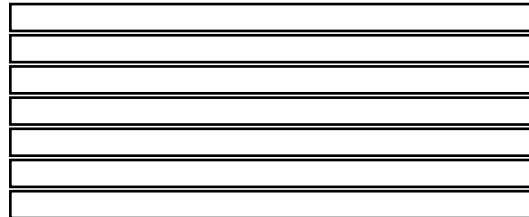
**If the slats on your decking run across your Dock**



Under Dock Bearing Tube



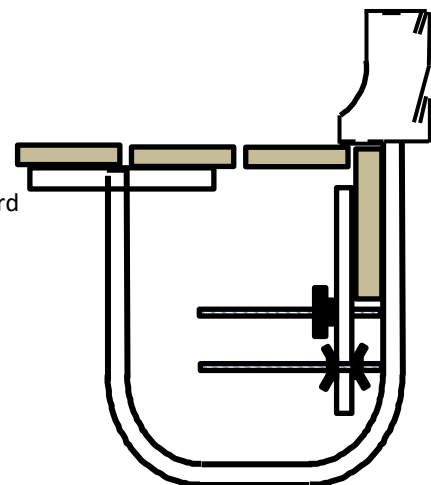
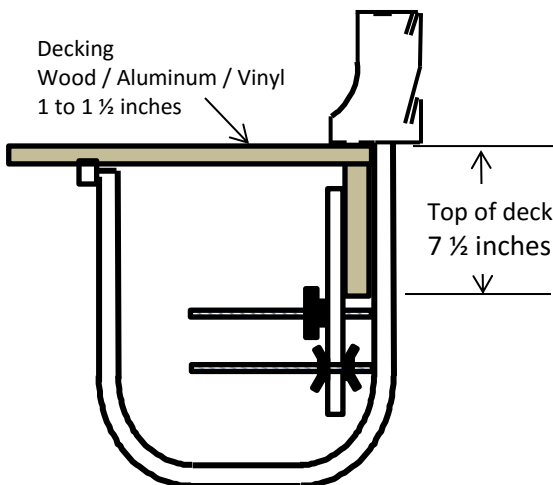
**If the slats on your dock run the length of your dock**



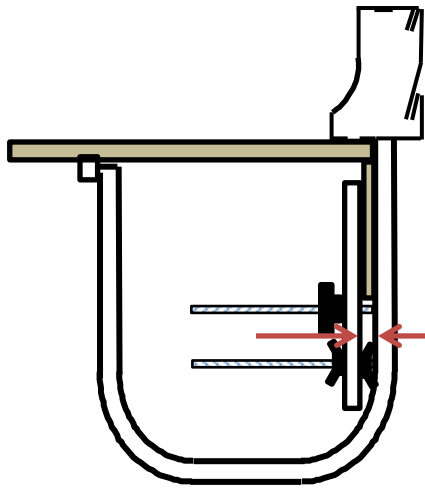
Align the under dock bearing tube as shown Align the under dock bearing tube on each side of the mount  
To align, undo the wing nut, remove the screw, and then align accordingly and insert the screw and tighten

**Dock Configuration Guide**

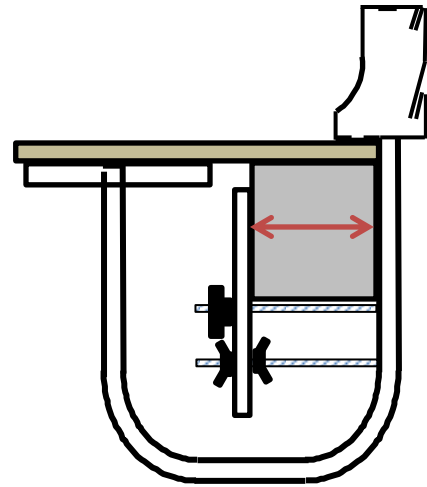
**Docks with Aluminum / Vinyl / Wood Decking**



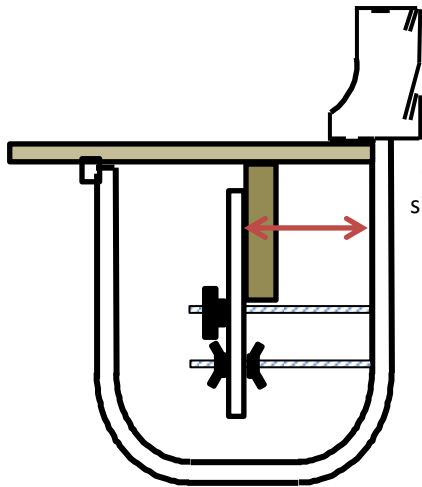
**The Tool Free (Clamp On) mount is adjustable for the width and position of the dock side board**



Some docks have the sideboard width as little as 3/8 of an inch at the bottom



Some docks have wide sideboards. Up to 5 inches is acceptable



Other Docks have the sideboard setback from the edge of the decking.

Up to 5 inches to the back side of the side board is acceptable.

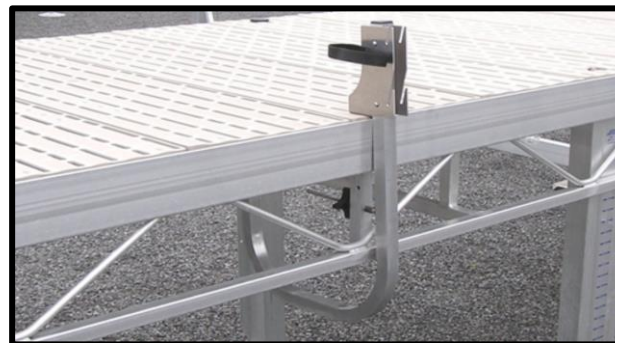
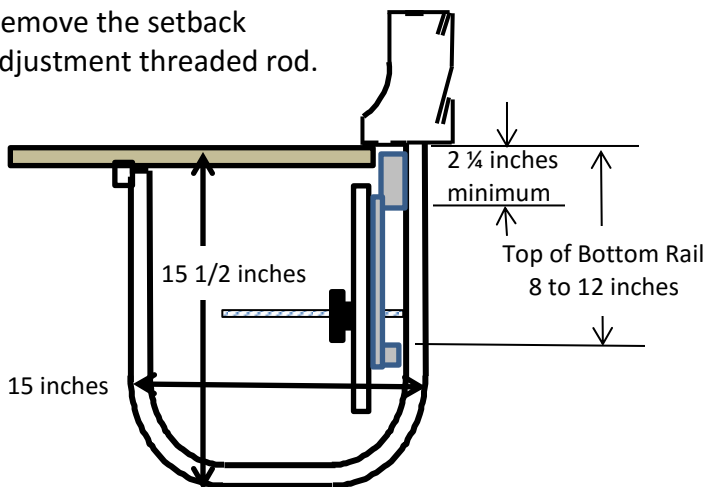
To adjust:

Assure the adjusting rod is seated then position the wing nut on the right such that it is in-line with the back of the sideboard.

Then tighten the clamp against the wing nut by tightening the wing nut on the left. To secure the clamp, tighten the hand knob unit it is snug.

**For Truss Style Docks**

Remove the setback adjustment threaded rod.



If you have questions regarding your Dock  
 Please Contact us: [info@DockCraft.com](mailto:info@DockCraft.com)  
 (585) 734-7374